

无励磁动作型电磁制动电动机 POWER OFF ACTIVATED TYPE ELECTROMAGNETIC BRAKE MOTOR

■ 25W □ 80mm



规格 Specs / 电动机 Motor

- 没有内藏简易制动 This type of motor does not contain a built-in simple brake mechanism.

型号Model · 类型 Type 导线型 Lead Wire Type	额定 Rating	输出功率 Output power	电压 Voltage	频率 Frequency	电流 Current	启动转矩 Starting Torque	额定转矩 Rated Torque	额定转速 Rated Speed	电容器容量 Capacitor
齿轮轴型 Pinion Shaft	W	V	Hz	A	mN.m	mN.m	r/min	μF	
4RK25GN-AM	30min	25	1ph 100	50	0.59	160	200	1250	10
				60	0.69	140	165	1550	
4RK25GN-EM	30min	25	1ph 110	60	0.45	140	165	1550	8.0
			1ph 120		0.50				
4RK25GN-CM	30min	25	1ph 220	50	0.29	140	200	1250	2.2
			1ph 230		0.30				
4RK25GN-HM	30min	25	1ph 220	60	0.35	140	165	1550	2.2
			1ph 230						
4RK25GN-SM	30min	25	3ph 220	50	0.185	350	200	1250	-
				60	0.170	250	165	1550	
4RK25GN-S3M	30min	25	3ph 380	50	0.107	350	200	1250	-
				60	0.098	250	165	1550	

- 各种安全规格以电动机铭牌上的型号取得认定。
When the motor is approved under various safety standards, the model name on the nameplate is the approved model name.
- (P): 此为配件选项, 如需要此功能, 型号后需带 "P"。
This option for the parts, such as the need for this feature, models need to bring "P".
- 电动机温度下降后会自动恢复运行, 故在进行检查作业时请务必事先切断电源。
When the motor temperature drops, the thermal protector closes and the motor restarts. Be sure to turn the motor off before inspecting.
- 注: "-A" 型号中电压为110V时, 配置电容器容量以实际铭牌为准。
Note: "-A" it means the voltage 110V, the assembly capacitor vaule it is according the labe.

装有减速器时的容许转矩 Gear Motor-Torque Table

- 减速器·中间减速器另售。● 电动机型号的□中为表示带端子箱型的记号(T)。
Gearhead and mid-gearbox can be sold separately. Enter the code that represents the terminal box type (T) in the box (□) within the model name.
- 减速器型号的□中为减速比的数值。□色表示与电动机同一方向运转, 其他则为相反方向。
Enter the gear ratio in the box (□) within the model name.
The colored background □ indicates the same rotating direction of the motor while the rotating direction of others are opposite.
- 转速是以电动机的同步转速 (50Hz:1500r/min、60Hz:1800r/min) 为基准除以减速比而算出来的数值。实际转速将随负载大小变化而比所示数值减少2%~20%左右。
The speed is calculated by diving the motor's synchronous speed (50Hz:1500r/min、60Hz:1800r/min) by the gear ratio. The actual speed is 2%~20% less than the displayed value, depending on the size of the load.
- 希望以大于下表的减速比进行进一步减速时, 可在电动机与减速器之间安装减速比为10的中间减速器。这时的容许转矩为8N·m。
To reduce the speed beyond the gear ratio in the table, attach a mid-gearbox (gear ratio:10) between the gearhead and motor. In that case, the permissible torque is 8N·m.

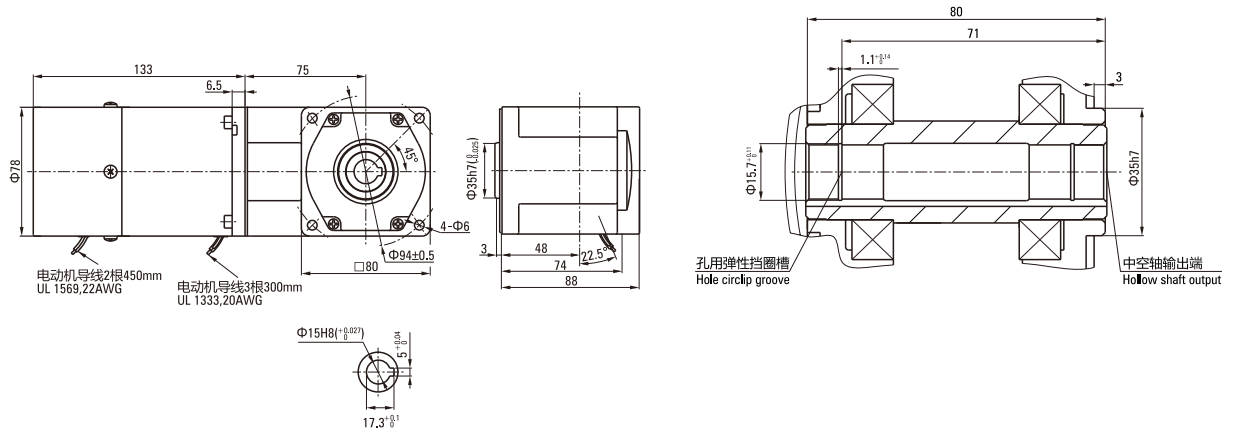
弧锥直角 SPIRAL BEVEL RIGHT ANGLE

容许力矩单位 Allowance Torque Unit: 上段 Upside (N.m) / 下段 Belowside (kgf.cm)

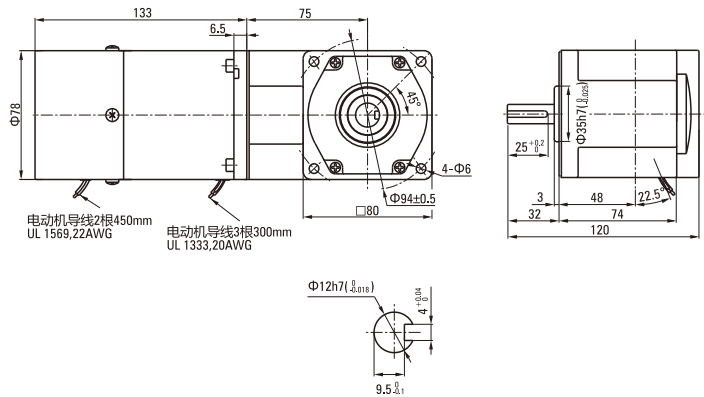
机型Type 电动机/减速器 Motor/Gearhead	减速比Gear Ratio	转速Speed r/min	7.5	9	12.5	15	18	25	30	36	50	60	75	90	100	120	150	180		
			50Hz	200	166	120	100	83	60	50	41	30	25	20	16	15	12	10	8	
		60Hz	240	200	144	120	100	72	60	50	36	30	24	20	18	15	12	10		
4RK25GN-AM□ 4RK25GN-EM□ 4RK25GN-CM□ 4RK25GN-HM□ 4RK25GN-SM□ 4RK25GN-S3M□	4GN□RC 4GN□RT	容许力矩 Allowance Torque	50Hz	0.99	1.18	1.64	1.97	2.37	3.29	3.95	4.73	6.58	7.10	8.00	8.00	8.00	8.00	8.00	8.00	8.00
			60Hz	10.1	12.1	16.8	20.1	24.2	33.5	40.3	48.3	67.1	72.5	80.0	80.0	80.0	80.0	80.0	80.0	80.0
		50Hz	0.80	0.95	1.33	1.59	1.91	2.65	3.18	3.82	5.30	5.73	7.16	8.00	8.00	8.00	8.00	8.00	8.00	8.00
		60Hz	8.12	9.74	13.5	16.2	19.5	27.1	32.5	39.0	54.1	58.4	73.0	80.0	80.0	80.0	80.0	80.0	80.0	80.0

电机尺寸图 Motor Size Chart

4RK25GN-AM□/4GN□RC 4RK25GN-EM□/4GN□RC	4RK25GN-CM□/4GN□RC 4RK25GN-HM□/4GN□RC	4RK25GN-SM□/4GN□RC	4RK25GN-S3M□/4GN□RC
--	--	--------------------	---------------------



4RK25GN-AM□/4GN□RT 4RK25GN-EM□/4GN□RT	4RK25GN-CM□/4GN□RT 4RK25GN-HM□/4GN□RT	4RK25GN-SM□/4GN□RT	4RK25GN-S3M□/4GN□RT
--	--	--------------------	---------------------



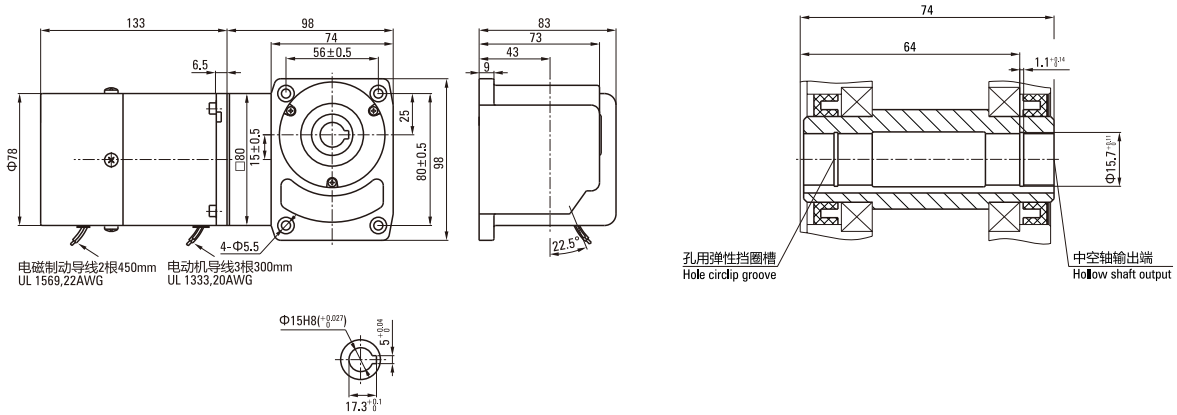
蜗轮蜗杆直角 WORM GEAR RIGHT ANGLE

容许力矩单位 Allowance Torque Unit: 上段 Upside (N.m) / 下段 Belowside (kgf.cm)

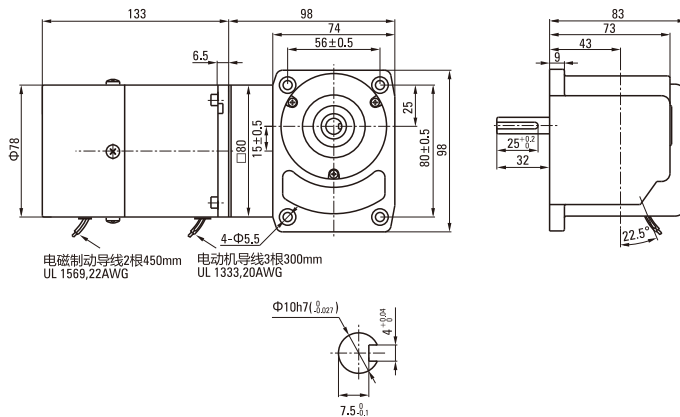
机型Type 电动机/减速器 Motor/Gearhead	减速比Gear Ratio	7.5	9	12.5	15	18	25	30	36	50	60	75	90	100	120	150	180		
		转速Speed r/min																	
		50Hz	200	166	120	100	83	60	50	41	30	25	20	16	15	12	10	8	
		60Hz	240	200	144	120	100	72	60	50	36	30	24	20	18	15	12	10	
4RK25GN-AM□ 4RK25GN-EM□ 4RK25GN-CM□ 4RK25GN-HM□ 4RK25GN-SM□ 4RK25GN-S3M□	4GN□RH 4GN□RH	容许力矩 Allowance Torque	50Hz	0.58	0.70	0.97	1.16	1.39	1.93	2.32	2.78	3.87	4.64	5.80	6.96	7.74	8.00	8.00	8.00
			60Hz	5.92	7.10	9.87	11.8	14.2	19.7	23.7	28.4	39.5	47.4	59.2	71.0	78.9	80.0	80.0	80.0

电机尺寸图 Motor Size Chart

4RK25GN-AM□/4GN□RH 4RK25GN-EM□/4GN□RH	4RK25GN-CM□/4GN□RH 4RK25GN-HM□/4GN□RH	4RK25GN-SM□/4GN□RH	4RK25GN-S3M□/4GN□RH
--	--	--------------------	---------------------



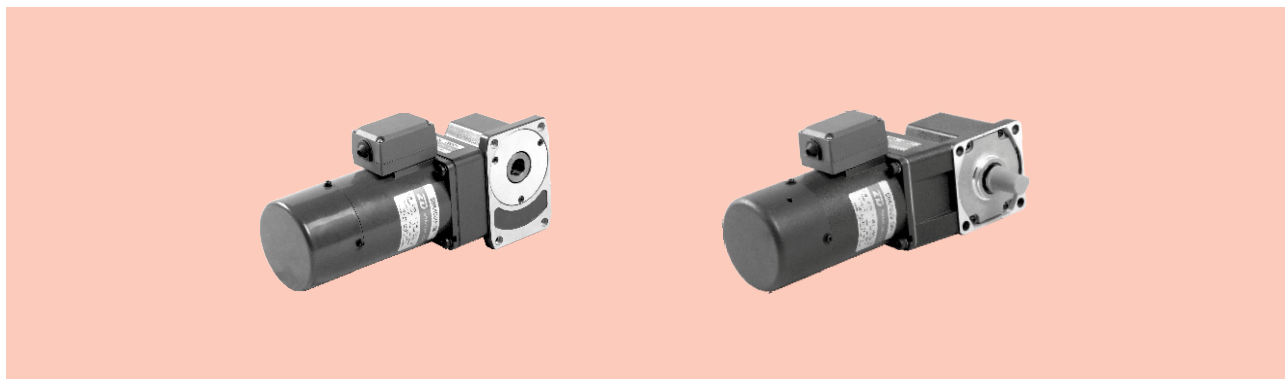
4RK25GN-AM□/4GN□RA 4RK25GN-EM□/4GN□RA	4RK25GN-CM□/4GN□RA 4RK25GN-HM□/4GN□RA	4RK25GN-SM□/4GN□RA	4RK25GN-S3M□/4GN□RA
--	--	--------------------	---------------------



无励磁动作型电磁制动电动机

POWER OFF ACTIVATED TYPE ELECTROMAGNETIC BRAKE MOTOR

■ 40W □ 90mm



■ 规格 Specs / 电动机 Motor

- 没有内置简易制动 This type of motor does not contain a built-in simple brake mechanism.

型号 Model · 类型 Type 导线型 Lead Wire Type	额定 Rating	输出功率 Output power	电压 Voltage	频率 Frequency	电流 Current	启动转矩 Starting Torque	额定转矩 Rated Torque	额定转速 Rated Speed	电容器容量 Capacitor
齿轮轴型 Pinion Shaft		W	V	Hz	A	mN.m	mN.m	r/min	μF
5RK40GU-AM	30min	40	1ph 100	50	0.78	300	315	1250	15.0
				60	1.05		260	1550	
5RK40GU-EM	30min	40	1ph 110	60	0.79	260	260	1550	12.0
			1ph 120		0.80				
5RK40GU-CM	30min	40	1ph 220	50	0.45	270	315	1250	3.00
			1ph 230						
5RK40GU-HM	30min	40	1ph 220	60	0.45	270	260	1550	3.00
			1ph 230						
5RK40GU-SM	30min	40	3ph 220	50	0.30	800	315	1250	0.30
				60	0.25	660	250	1600	0.25
5RK40GU-S3M	30min	40	3ph 380	50	0.17	800	315	1250	0.30
				60	0.14	660	250	1600	0.25

- 各种安全规格以电动机铭牌上的型号取得认定。

When the motor is approved under various safety standards, the model name on the nameplate is the approved model name.

- (T): 此为配件选项，如需要此功能，型号后需带 "P"。

This option for the parts, such as the need for this feature, models need to bring "P".

- 电动机温度下降后会恢复运行，故在进行检查作业时请务必先切断电源。

When the motor temperature drops, the thermal protector closes and the motor restarts. Be sure to turn the motor off before inspecting.

- 注：“-A”型号中电压为110V时，配置电容器容量以实际铭牌为准。

Note: "-A" it means the voltage 110V, the assembly capacitor value it is according to the label.

■ 装有减速器时的容许转矩 Gear Motor-Torque Table

- 减速器-中间减速器另售。● 电动机型号的□中为表示带端子箱型的记号(T)。

Gearhead and mid-gearbox can be sold separately. Enter the code that represents the terminal box type (T) in the box (□) within the model name.

- 减速器型号的□中为减速比的数值。□色表示与电动机同一方向运转，其他则为相反方向。

Enter the gear ratio in the box (□) within the model name.

The colored background □ indicates the same rotating direction of the motor while the rotating direction of others are opposite.

- 转速是以电动机的同步转速 (50Hz:1500r/min、60Hz:1800r/min) 为基准除以减速比而算出来的数值。实际转速将随负载大小变化而比所示数值减少2%~20%左右。

The speed is calculated by dividing the motor's synchronous speed (50Hz:1500r/min、60Hz:1800r/min) by the gear ratio. The actual speed is 2%~20% less than the displayed value, depending on the size of the load.

- 希望以大于下表的减速比进行进一步减速时，可在电动机与减速器之间安装减速比为10的中间减速器。这时的容许转矩为20N·m。

To reduce the speed beyond the gear ratio in the table, attach a mid-gearbox (gear ratio:10) between the gearhead and motor. In that case, the permissible torque is 20N·m.

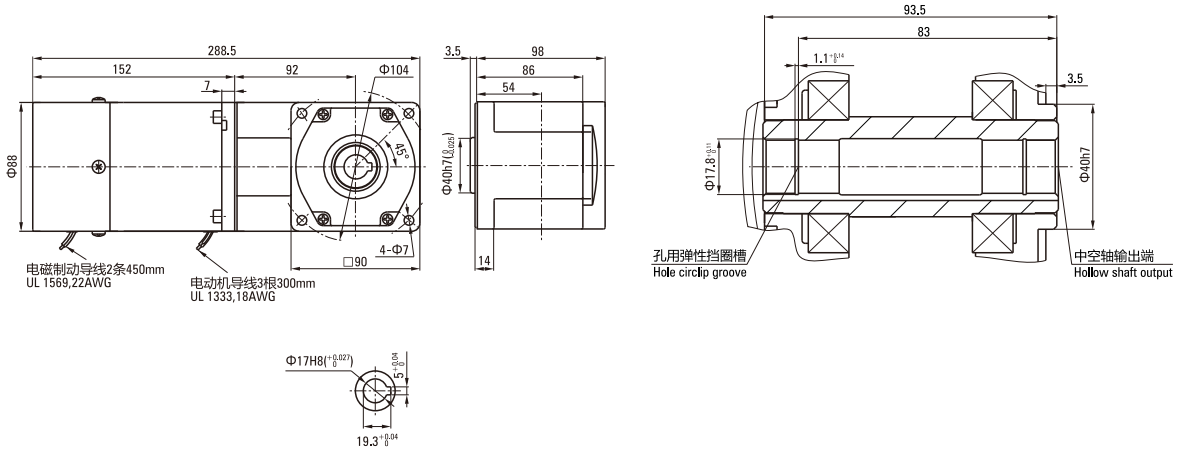
弧锥直角 SPIRAL BEVEL RIGHT ANGLE

容许力矩单位 Allowance Torque Unit: 上段 Upside (N.m) / 下段 Belowside (kgf.cm)

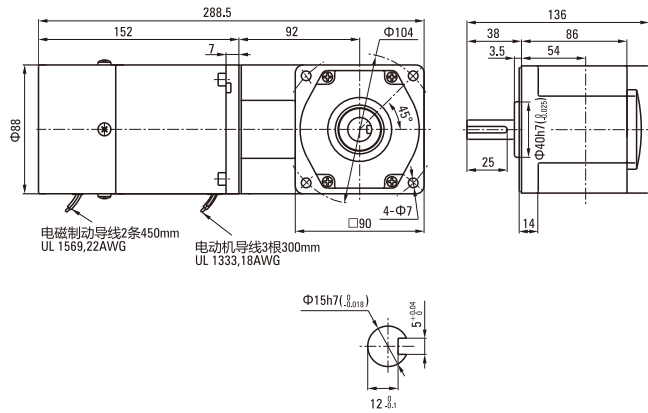
机型Type 电动机/减速器 Motor/Gearhead	减速比Gear Ratio	容许力矩 Allowance Torque																	
		7.5	9	12.5	15	18	25	30	36	50	60	75	90	100	120	150	180		
5RK40GU-AM□ 5RK40GU-EM□ 5RK40GU-CM□ 5RK40GU-HM□ 5RK40GU-SM□ 5RK40GU-S3M□	5GU□RC	容许力矩 Allowance Torque	50Hz	200	166	120	100	83	60	50	41	30	25	20	16	15	12	10	8
			60Hz	240	200	144	120	100	72	60	50	36	30	24	20	18	15	12	10
			50Hz	1.58	1.89	2.63	3.16	3.79	5.26	6.31	6.80	9.50	11.4	14.2	17.0	18.9	20.0	20.0	20.0
			60Hz	16.1	19.3	26.8	32.2	38.6	53.7	64.4	70.0	97.0	116	145	174	193	200	200	200
			50Hz	1.27	1.53	2.12	2.55	3.05	4.24	5.09	5.50	7.64	9.16	11.5	13.7	15.3	20.0	20.0	20.0
			60Hz	13.0	15.6	21.6	26.0	31.2	43.3	51.9	56.1	77.9	93.5	117	140	156	187	200	200

电机尺寸图 Motor Size Chart

5RK40GU-AM□/5GU□RC 5RK40GU-EM□/5GU□RC	5RK40GU-CM□/5GU□RC 5RK40GU-HM□/5GU□RC	5RK40GU-SM□/5GU□RC	5RK40GU-S3M□/5GU□RC
--	--	--------------------	---------------------



5RK40GU-AM□/5GU□RT 5RK40GU-EM□/5GU□RT	5RK40GU-CM□/5GU□RT 5RK40GU-HM□/5GU□RT	5RK40GU-SM□/5GU□RT	5RK40GU-S3M□/5GU□RT
--	--	--------------------	---------------------



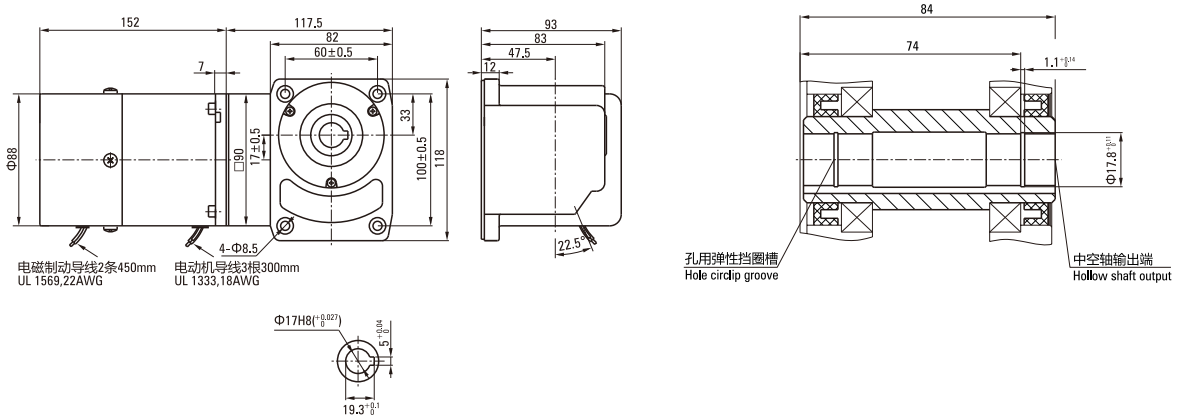
蜗轮蜗杆直角 WORM GEAR RIGHT ANGLE

容许力矩单位 Allowance Torque Unit: 上段 Upside (N.m) / 下段 Belowside (kgf.cm)

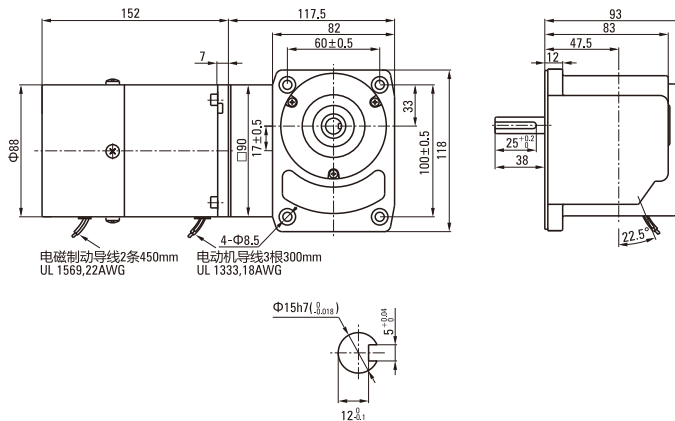
机型Type 电动机/减速器 Motor/Gearhead	减速比Gear Ratio	转速Speed r/min	7.5	9	12.5	15	18	25	30	36	50	60	75	90	100	120	150	180	
			50Hz	200	166	120	100	83	60	50	41	30	25	20	16	15	12	10	8
60Hz	240	200	144	120	100	72	60	50	36	30	24	20	18	15	12	10			
5RK40GU-AM□ 5RK40GU-EM□ 5RK40GU-CM□ 5RK40GU-HM□ 5RK40GU-SM□ 5RK40GU-S3M□	5GU□RH 5GU□RA	容许力矩 Allowance Torque	50Hz	0.93	1.11	1.55	1.86	2.23	3.09	3.71	4.46	6.19	7.43	9.28	11.1	12.4	14.9	18.6	20.0
			60Hz	9.47	11.4	15.8	18.9	22.7	31.6	37.9	45.5	63.1	75.8	94.7	114	126	152	189	200
			50Hz	0.75	0.90	1.25	1.50	1.80	2.50	2.99	3.59	4.99	5.99	7.49	8.98	9.98	12.0	15.0	18.0
			60Hz	7.64	9.17	12.7	15.3	18.3	25.5	30.6	36.7	50.9	61.1	76.4	91.7	102	122	153	183

电机尺寸图 Motor Size Chart

5RK40GU-AM□/5GU□RH 5RK40GU-EM□/5GU□RH	5RK40GU-CM□/5GU□RH 5RK40GU-HM□/5GU□RH	5RK40GU-SM□/5GU□RH	5RK40GU-S3M□/5GU□RH
--	--	--------------------	---------------------

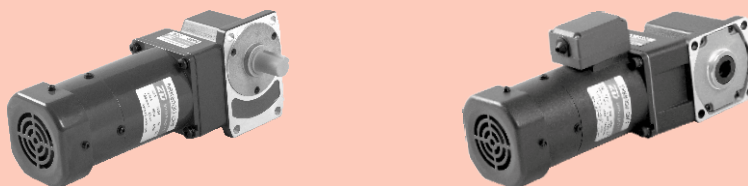


5RK40GU-AM□/5GU□RA 5RK40GU-EM□/5GU□RA	5RK40GU-CM□/5GU□RA 5RK40GU-HM□/5GU□RA	5RK40GU-SM□/5GU□RA	5RK40GU-S3M□/5GU□RA
--	--	--------------------	---------------------



无励磁动作型电磁制动电动机 POWER OFF ACTIVATED TYPE ELECTROMAGNETIC BRAKE MOTOR

■ 60W □ 90mm



规格 Specs / 电动机 Motor

- 没有内藏简易制动 This type of motor does not contain a built-in simple brake mechanism.

型号Model · 类型 Type 导线型 Lead Wire Type	额定 Rating	输出功率 Output power	电压 Voltage	频率 Frequency	电流 Current	启动转矩 Starting Torque	额定转矩 Rated Torque	额定转速 Rated Speed	电容器容量 Capacitor
齿轮轴型 Pinion Shaft	W	V	Hz	A	mN.m	mN.m	r/min	μF	
5RK60GU-AFM	30min	60	1ph 100	50	1.26	470	470	1250	25
				60	1.70		380	1550	
5RK60GU-EFM	30min	60	1ph 110	60	1.05	330	380	1550	15
			1ph 120		0.85	380			
5RK60GU-CFM	30min	60	1ph 220	50	0.55	420	470	1250	4.5
			1ph 230		0.60	460			
5RK60GU-HFM	30min	60	1ph 220	60	0.55	420	380	1550	4.5
			1ph 230		0.60	460			
5RK60GU-SFM	30min	60	3ph 220	50	0.45	1000	470	1250	-
				60	0.40	800	380	1550	
5RK60GU-S3FM	30min	60	3ph 380	50	0.26	1000	470	1250	-
				60	0.23	800	380	1550	

- 各种安全规格以电动机铭牌上的型号取得认定。
When the motor is approved under various safety standards, the model name on the nameplate is the approved model name.
- (P): 此为配件选项, 如需要此功能, 型号后需带 "P"。
This option for the parts, such as the need for this feature, models need to bring "P".
- 电动机温度下降后会自动恢复运行, 故在进行检查作业时请务必事先切断电源。
When the motor temperature drops, the thermal protector closes and the motor restarts. Be sure to turn the motor off before inspecting.
- 注: "-A" 型号中电压为110V时, 配置电容器容量以实际铭牌为准。
Note: "-A" it means the voltage 110V, the assembly capacitor value it is according to the label.

装有减速器时的容许转矩 Gear Motor-Torque Table

- 减速器-中间减速器另售。● 电动机型号的□中为表示带端子箱型的记号(T)。
Gearhead and mid-gearbox can be sold separately. Enter the code that represents the terminal box type (T) in the box (□) within the model name.
- 减速器型号的□中为减速比的数值。□色表示与电动机同一方向运转, 其他则为相反方向。
Enter the gear ratio in the box (□) within the model name.
The colored background □ indicates the same rotating direction of the motor while the rotating direction of others are opposite.
- 转速是以电动机的同步转速 (50Hz:1500r/min、60Hz:1800r/min) 为基准除以减速比而算出来的数值。实际转速将随负载大小变化而比所示数值减少2%~20%左右。
The speed is calculated by dividing the motor's synchronous speed (50Hz:1500r/min、60Hz:1800r/min) by the gear ratio. The actual speed is 2%~20% less than the displayed value, depending on the size of the load.
- 希望以大于下表的减速比进行进一步减速时, 可在电动机与减速器之间安装减速比为10的中间减速器。这时的容许转矩为20N·m。
To reduce the speed beyond the gear ratio in the table, attach a mid-gearbox (gear ratio:10) between the gearhead and motor. In that case, the permissible torque is 20N·m.

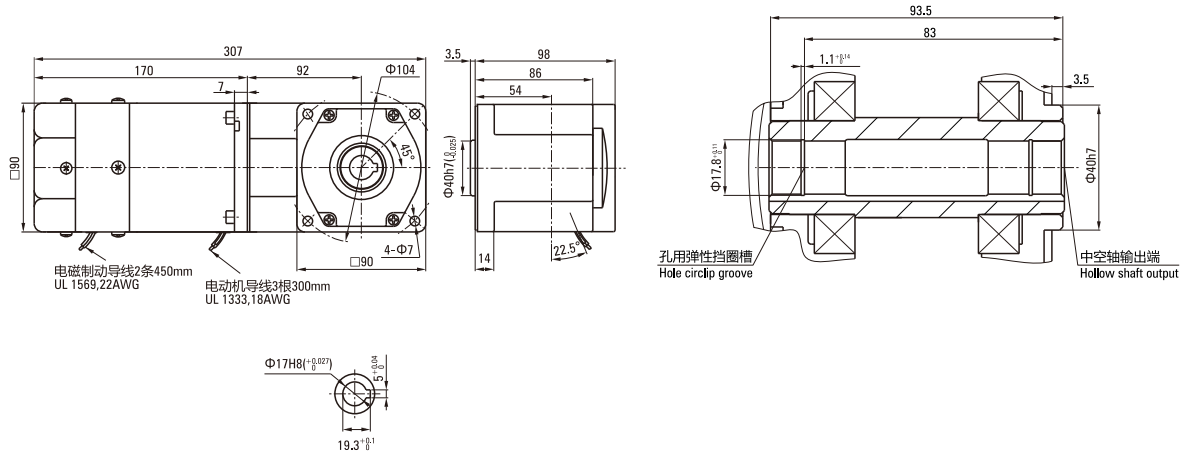
弧锥直角 SPIRAL BEVEL RIGHT ANGLE

容许力矩单位 Allowance Torque Unit: 上段 Upside (N.m) / 下段 Belowside (kgf.cm)

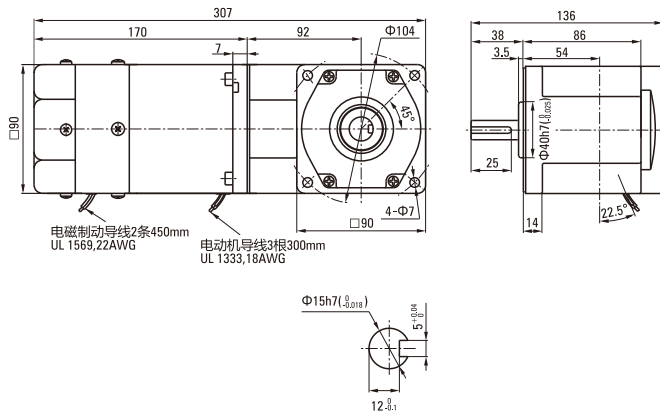
机型Type 电动机/减速器 Motor/Gearhead	减速比Gear Ratio	转速Speed r/min	7.5	9	12.5	15	18	25	30	36	50	60	75	90	100	120	150	180		
			50Hz	200	166	120	100	83	60	50	41	30	25	20	16	15	12	10	8	
		60Hz	240	200	144	120	100	72	60	50	36	30	24	20	18	15	12	10		
5RK60GU-AF□M 5RK60GU-EF□M 5RK60GU-CF□M 5RK60GU-HF□M 5RK60GU-SF□M 5RK60GU-S3F□M	5GU□RC 5GU□RT	容许力矩 Allowance Torque	50Hz	2.37	2.84	3.95	4.73	5.68	7.89	9.47	10.2	14.2	17.0	20.0	20.0	20.0	20.0	20.0	20.0	20.0
			60Hz	1.91	2.29	3.18	3.82	4.58	6.36	7.64	8.25	11.5	13.7	17.2	20.0	20.0	20.0	20.0	20.0	20.0
		50Hz	24.2	29.0	40.3	48.3	58.0	80.5	96.6	104	145	174	200	200	200	200	200	200	200	200
		60Hz	19.48	23.37	32.46	38.96	46.75	64.93	77.92	84.1	117	140	175	200	200	200	200	200	200	200

电机尺寸图 Motor Size Chart

5RK60GU-AFM□/5GU□RC 5RK60GU-CFM□/5GU□RC 5RK60GU-SFM□/5GU□RC 5RK60GU-S3FM□/5GU□RC
 5RK60GU-EFM□/5GU□RC 5RK60GU-HFM□/5GU□RC



5RK60GU-AFM□/5GU□RT 5RK60GU-CFM□/5GU□RT 5RK60GU-SFM□/5GU□RT 5RK60GU-S3FM□/5GU□RT
 5RK60GU-EFM□/5GU□RT 5RK60GU-HFM□/5GU□RT



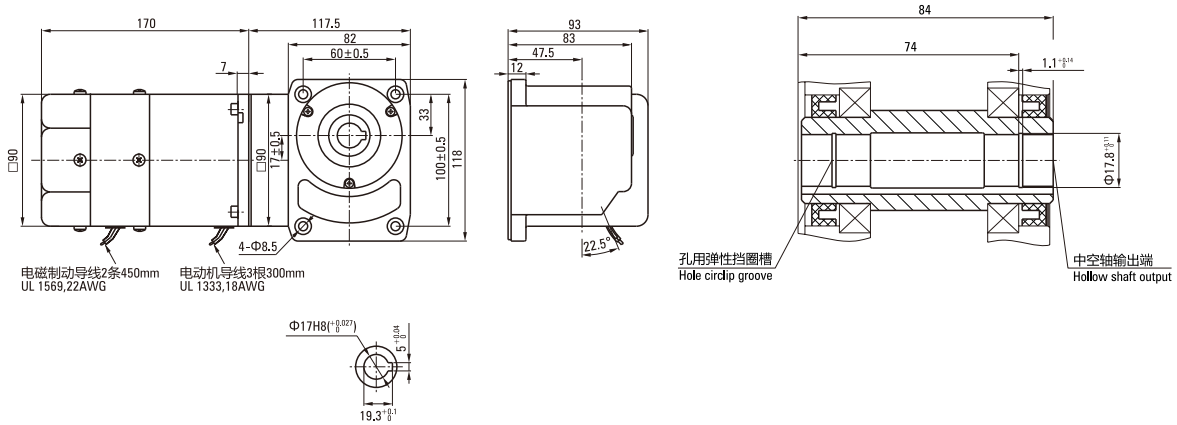
蜗轮蜗杆直角 WORM GEAR RIGHT ANGLE

容许力矩单位 Allowance Torque Unit: 上段 Upside (N.m) / 下段 Belowside (kgf.cm)

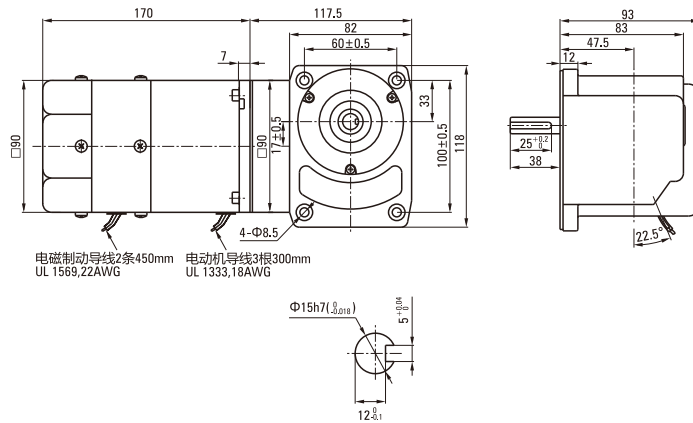
机型Type 电动机/减速器 Motor/Gearhead	减速比Gear Ratio	容许力矩 Allowance Torque																	
		7.5	9	12.5	15	18	25	30	36	50	60	75	90	100	120	150	180		
5RK60GU-AF□M 5RK60GU-EF□M 5RK60GU-CF□M 5RK60GU-HF□M 5RK60GU-SF□M 5RK60GU-S3F□M	5GU□RH 5GU□RA	容许力矩 Allowance Torque	50Hz	200	166	120	100	83	60	50	41	30	25	20	16	15	12	10	8
			60Hz	240	200	144	120	100	72	60	50	36	30	24	20	18	15	12	10
			50Hz	1.39	1.67	2.32	2.78	3.34	4.64	5.57	6.68	9.28	11.1	13.9	16.7	18.6	20.0	20.0	20.0
			60Hz	14.2	17.0	23.7	28.4	34.1	47.4	56.8	68.2	94.7	114	142	170	189	200	200	200
			50Hz	1.12	1.35	1.87	2.25	2.69	3.74	4.49	5.39	7.49	8.98	11.2	13.5	15.0	18.0	20.0	20.0
			60Hz	11.5	13.7	19.1	22.9	27.5	38.2	45.8	55.0	76.4	91.7	115	137	153	183	200	200

电机尺寸图 Motor Size Chart

5RK60GU-AF□M/5GU□RH 5RK60GU-CF□M/5GU□RH
5RK60GU-EF□M/5GU□RH 5RK60GU-HF□M/5GU□RH 5RK60GU-SF□M/5GU□RH 5RK60GU-S3F□M/5GU□RH



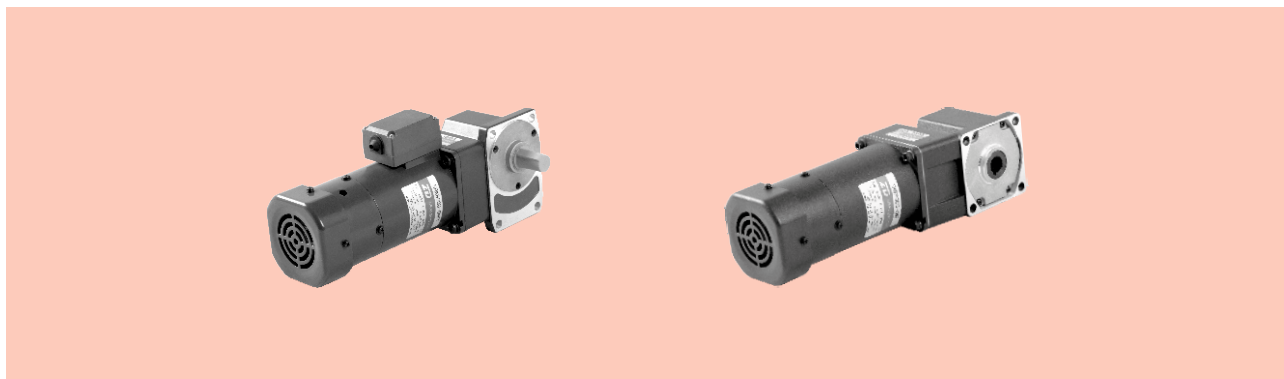
5RK60GU-AF□M/5GU□RA 5RK60GU-CF□M/5GU□RA
5RK60GU-EF□M/5GU□RA 5RK60GU-HF□M/5GU□RA 5RK60GU-SF□M/5GU□RA 5RK60GU-S3F□M/5GU□RA



无励磁动作型电磁制动电动机

POWER OFF ACTIVATED TYPE ELECTROMAGNETIC BRAKE MOTOR

■ 90W □ 90mm



规格 Specs / 电动机 Motor

- 没有内置简易制动 This type of motor does not contain a built-in simple brake mechanism.

型号 Model · 类型 Type 导线型 Lead Wire Type	额定 Rating	输出功率 Output power	电压 Voltage	频率 Frequency	电流 Current	启动转矩 Starting Torque	额定转矩 Rated Torque	额定转速 Rated Speed	电容器容量 Capacitor
齿轮轴型 Pinion Shaft		W	V	Hz	A	mN.m	mN.m	r/min	μF
5RK90GU-AFM	30min	90	1ph 100	50	1.78	600	700	1250	30
				60	2.35		570	1550	
5RK90GU-EFM	30min	90	1ph 110	60	1.72	550	570	1550	25
			1ph 120			600			
5RK90GU-CFM	30min	90	1ph 220	50	0.82	560	700	1250	6.0
			1ph 230		0.81				
5RK90GU-HFM	30min	90	1ph 220	60	0.81	560	570	1550	6.0
			1ph 230		0.80				
5RK90GU-SFM	30min	90	3ph 220	50	0.60	1350	700	1250	-
				60	0.55	1100	570	1550	
5RK90GU-S3FM	30min	90	3ph 380	50	0.35	1350	700	1250	-
				60	0.32	1100	570	1550	

- 各种安全规格以电动机铭牌上的型号取得认定。
When the motor is approved under various safety standards, the model name on the nameplate is the approved model name.
- (T): 此为配件选项，如需要此功能，型号后需带 "P"。
This option for the parts, such as the need for this feature, models need to bring "P".
- 电动机温度下降后会自动恢复运行，故在进行检查作业时请务必先切断电源。
When the motor temperature drops, the thermal protector closes and the motor restarts. Be sure to turn the motor off before inspecting.
- 注：“-A”型号中电压为110V时，配置电容器容量以实际铭牌为准。
Note: "-A" it means the voltage 110V, the assembly capacitor value it is according to the label.

装有减速器时的容许转矩 Gear Motor-Torque Table

- 减速器-中间减速器另售。● 电动机型号的□中为表示带端子箱型的记号(T)。
Gearhead and mid-gearbox can be sold separately. Enter the code that represents the terminal box type (T) in the box (□) within the model name.
- 减速器型号的□中为减速比的数值。□色表示与电动机同一方向运转，其他则为相反方向。
Enter the gear ratio in the box (□) within the model name.
The colored background □ indicates the same rotating direction of the motor while the rotating direction of others are opposite.
- 转速是以电动机的同步转速 (50Hz:1500r/min、60Hz:1800r/min) 为基准除以减速比而算出来的数值。实际转速将随负载大小变化而比所示数值减少2%~20%左右。
The speed is calculated by dividing the motor's synchronous speed (50Hz:1500r/min、60Hz:1800r/min) by the gear ratio. The actual speed is 2%~20% less than the displayed value, depending on the size of the load.
- 希望以大于下表的减速比进行进一步减速时，可在电动机与减速器之间安装减速比为10的中间减速器。这时的容许转矩为20N·m。
To reduce the speed beyond the gear ratio in the table, attach a mid-gearbox (gear ratio:10) between the gearhead and motor. In that case, the permissible torque is 20N·m.

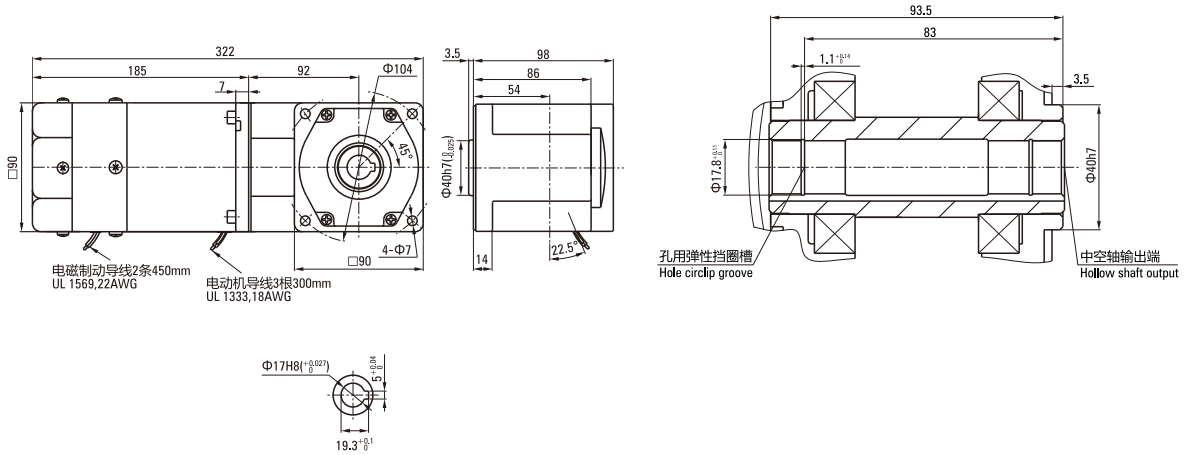
弧锥直角 SPIRAL BEVEL RIGHT ANGLE

容许力矩单位 Allowance Torque Unit: 上段 Upside (N.m) / 下段 Belowside (kgf.cm)

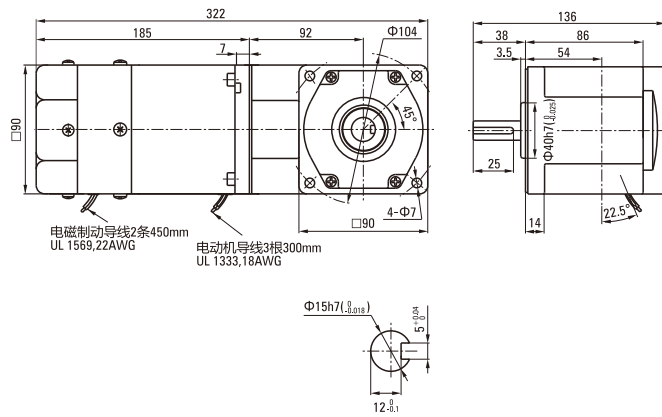
机型Type		减速比Gear Ratio	7.5	9	12.5	15	18	25	30	36	50	60	75	90	100	120	150	180	
电动机/减速器 Motor/Gearhead	转速Speed r/min	50Hz	200	166	120	100	83	60	50	41	30	25	20	16	15	12	10	8	
		60Hz	240	200	144	120	100	72	60	50	36	30	24	20	18	15	12	10	
5RK90GU-AF□M 5RK90GU-EF□M 5RK90GU-CF□M 5RK90GU-HF□M 5RK90GU-SF□M 5RK90GU-S3F□M	5GU□RC 5GU□RT	容许力矩 Allowance Torque	50Hz	3.55	4.26	5.92	7.10	8.52	11.8	14.2	15.3	20.0	20.0	20.0	20.0	20.0	20.0	20.0	20.0
			60Hz	2.86	3.44	4.77	5.73	6.87	9.54	11.5	12.4	17.2	20.0	20.0	20.0	20.0	20.0	20.0	20.0
		50Hz	36.2	43.5	60.4	72.5	87.0	121	145	157	200	200	200	200	200	200	200	200	200
		60Hz	29.2	35.1	48.7	58.4	70.1	97.4	117	126	175	200	200	200	200	200	200	200	200

电机尺寸图 Motor Size Chart

5RK90GU-AF□M/5GU□RC 5RK90GU-CF□M/5GU□RC
5RK90GU-EF□M/5GU□RC 5RK90GU-HF□M/5GU□RC 5RK90GU-SF□M/5GU□RC 5RK90GU-S3F□M/5GU□RC



5RK90GU-AF□M/5GU□RT 5RK90GU-CF□M/5GU□RT
5RK90GU-EF□M/5GU□RT 5RK90GU-HF□M/5GU□RT 5RK90GU-SF□M/5GU□RT 5RK90GU-S3F□M/5GU□RT



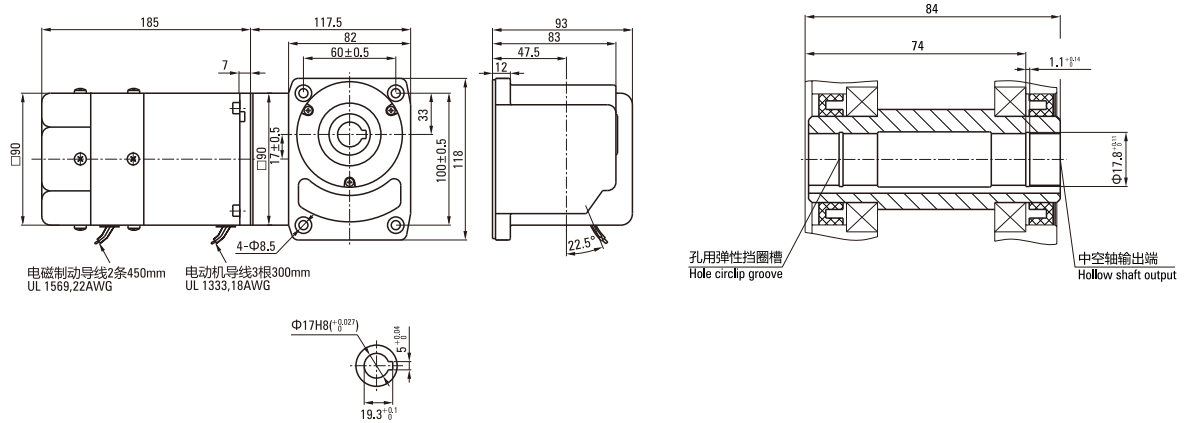
蜗轮蜗杆直角 WORM GEAR RIGHT ANGLE

容许力矩单位 Allowance Torque Unit: 上段 Upside (N.m) / 下段 Belowside (kgf.cm)

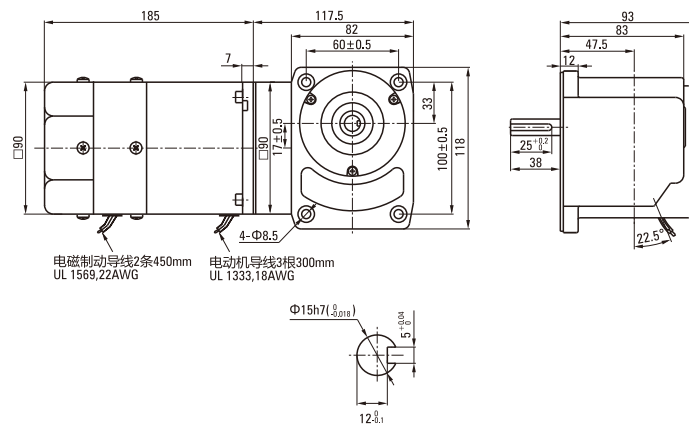
机型Type 电动机/减速器 Motor/Gearhead	减速比Gear Ratio	转速Speed r/min	7.5	9	12.5	15	18	25	30	36	50	60	75	90	100	120	150	180		
			50Hz	200	166	120	100	83	60	50	41	30	25	20	16	15	12	10	8	
		60Hz	240	200	144	120	100	72	60	50	36	30	24	20	18	15	12	10		
5RK90GU-AF□M 5RK90GU-EF□M 5RK90GU-CF□M 5RK90GU-HF□M 5RK90GU-SF□M 5RK90GU-S3F□M	5GU□RH 5GU□RA	容许力矩 Allowance Torque	50Hz	2.09	2.51	3.48	4.18	5.01	6.96	8.35	10.0	13.9	16.7	20.0	20.0	20.0	20.0	20.0	20.0	20.0
			60Hz	1.68	2.02	2.81	3.37	4.04	5.61	6.74	8.08	11.2	13.5	16.8	20.0	20.0	20.0	20.0	20.0	20.0
		50Hz	21.3	25.6	35.5	42.6	51.1	71.0	85.2	102	142	170	204	200	200	200	200	200	200	200
		60Hz	17.2	20.6	28.6	34.4	41.2	57.3	68.7	82.5	115	137	172	200	200	200	200	200	200	200

电机尺寸图 Motor Size Chart

5RK90GU-AF□M/5GU□RH 5RK90GU-CF□M/5GU□RH 5RK90GU-SF□M/5GU□RH 5RK90GU-S3F□M/5GU□RH
5RK90GU-EF□M/5GU□RH 5RK90GU-HF□M/5GU□RH



5RK90GU-AF□M/5GU□RA 5RK90GU-CF□M/5GU□RA 5RK90GU-SF□M/5GU□RA 5RK90GU-S3F□M/5GU□RA
5RK90GU-EF□M/5GU□RA 5RK90GU-HF□M/5GU□RA



无励磁动作型电磁制动电动机 POWER OFF ACTIVATED TYPE ELECTROMAGNETIC BRAKE MOTOR

■ 120W □ 90mm



规格 Specs / 电动机 Motor

- 没有内藏简易制动 This type of motor does not contain a built-in simple brake mechanism.

型号Model · 类型 Type 导线型 Lead Wire Type	额定 Rating	输出功率 Output power	电压 Voltage	频率 Frequency	电流 Current	启动转矩 Starting Torque	额定转矩 Rated Torque	额定转速 Rated Speed	电容器容量 Capacitor
齿轮轴型 Pinion Shaft	W	V	Hz	A	mN.m	mN.m	r/min	μF	
5RK120GU-AFM	30min	120	1ph 100	50	2.25	700	930	1250	35
				60	2.85		750	1550	
5RK120GU-EFM	30min	120	1ph 110	60	1.90	650	750	1550	30
			1ph 120			720			
5RK120GU-CFM	30min	120	1ph 220	50	1.15	720	930	1250	8.0
			1ph 230						
5RK120GU-HFM	30min	120	1ph 220	60	1.20	720	750	1550	8.0
			1ph 230						
5RK120GU-SFM	30min	120	3ph 220	50	0.70	1850	930	1250	-
				60	0.60	1600	750	1550	
5RK120GU-S3FM	30min	120	3ph 380	50	0.40	1850	930	1250	-
				60	0.35	1600	750	1550	

- 各种安全规格以电动机铭牌上的型号取得认定。
When the motor is approved under various safety standards, the model name on the nameplate is the approved model name.
- (P): 此为配件选项, 如需要此功能, 型号后需带 "P"。
This option for the parts, such as the need for this feature, models need to bring "P".
- 电动机温度下降后会自动恢复运行, 故在进行检查作业时请务必事先切断电源。
When the motor temperature drops, the thermal protector closes and the motor restarts. Be sure to turn the motor off before inspecting.
- 注: "-A" 型号中电压为110V时, 配置电容器容量以实际铭牌为准。
Note: "-A" it means the voltage 110V, the assembly capacitor vaule it is according the labe.

装有减速器时的容许转矩 Gear Motor-Torque Table

- 减速器·中间减速器另售。● 电动机型号的□中为表示带端子箱型的记号(T)。
Gearhead and mid-gearbox can be sold separately. Enter the code that represents the terminal box type (T) in the box (□) within the model name.
- 减速器型号的□中为减速比的数值。□色表示与电动机同一方向运转, 其他则为相反方向。
Enter the gear ratio in the box (□) within the model name.
The colored background □ indicates the same rotating direction of the motor while the rotating direction of others are opposite.
- 转速是以电动机的同步转速 (50Hz:1500r/min、60Hz:1800r/min) 为基准除以减速比而算出来的数值。实际转速将随负载大小变化而比所示数值减少2%~20%左右。
The speed is calculated by diving the motor's synchronous speed (50Hz:1500r/min、60Hz:1800r/min) by the gear ratio. The actual speed is 2%~20% less than the displayed value, depending on the size of the load.
- 希望以大于下表的减速比进行进一步减速时, 可在电动机与减速器之间安装减速比为10的中间减速器。这时的容许转矩为20N·m。
To reduce the speed beyond the gear ratio in the table, attach a mid-gearbox (gear ratio:10) between the gearhead and motor. In that case, the permissible torque is 20N·m.

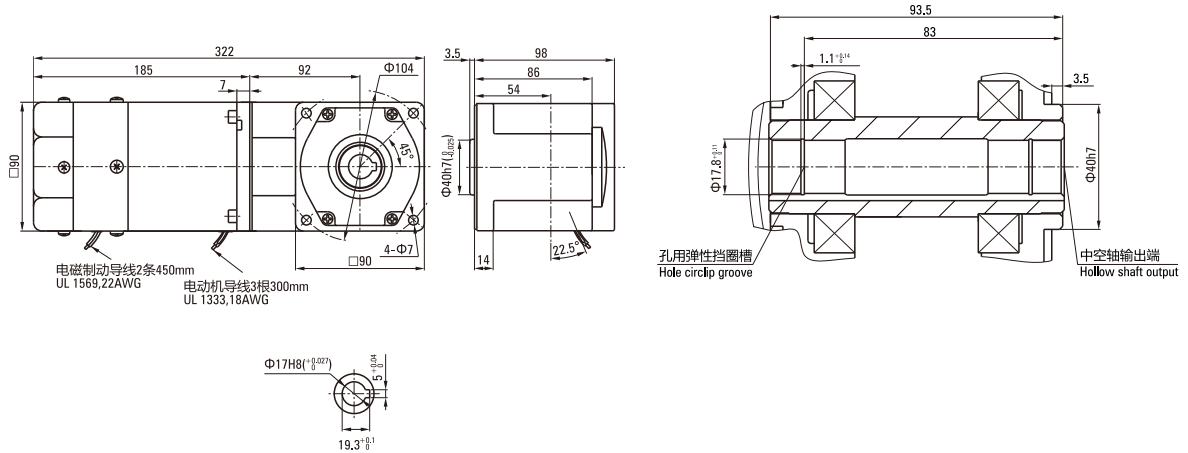
弧锥直角 SPIRAL BEVEL RIGHT ANGLE

容许力矩单位 Allowance Torque Unit: 上段 Upside (N.m) / 下段 Belowside (kgf.cm)

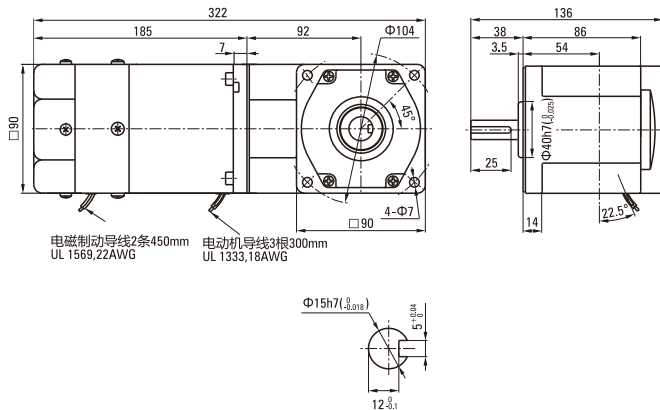
机型Type 电动机/减速器 Motor/Gearhead	减速比Gear Ratio	转速Speed r/min	7.5	9	12.5	15	18	25	30	36	50	60	75	90	100	120	150	180			
			50Hz	200	166	120	100	83	60	50	41	30	25	20	16	15	12	10	8		
60Hz	240	200	144	120	100	72	60	50	36	30	24	20	18	15	12	10					
5RK120GU-AF□M 5RK120GU-EF□M 5RK120GU-CF□M 5RK120GU-HF□M 5RK120GU-SF□M 5RK120GU-S3F□M	5GU□RC 5GU□RT	容许力矩 Allowance Torque	50Hz	4.73	5.68	7.89	9.47	11.4	15.8	18.9	20.0	20.0	20.0	20.0	20.0	20.0	20.0	20.0	20.0	20.0	
			60Hz	48.3	58.0	80.5	96.6	116	161	193	200	200	200	200	200	200	200	200	200	200	200
			50Hz	3.82	4.58	6.36	7.64	9.16	12.7	15.3	16.5	20.0	20.0	20.0	20.0	20.0	20.0	20.0	20.0	20.0	20.0
			60Hz	39.0	46.7	64.9	77.9	93.5	130	156	168	200	200	200	200	200	200	200	200	200	200

电机尺寸图 Motor Size Chart

5RK120GU-AF□M/5GU□RC 5RK120GU-CF□M/5GU□RC 5RK120GU-EF□M/5GU□RC 5RK120GU-HF□M/5GU□RC 5RK120GU-SF□M/5GU□RC 5RK120GU-S3F□M/5GU□RC



5RK120GU-AF□M/5GU□RT 5RK120GU-CF□M/5GU□RT 5RK120GU-EF□M/5GU□RT 5RK120GU-HF□M/5GU□RT 5RK120GU-SF□M/5GU□RT 5RK120GU-S3F□M/5GU□RT



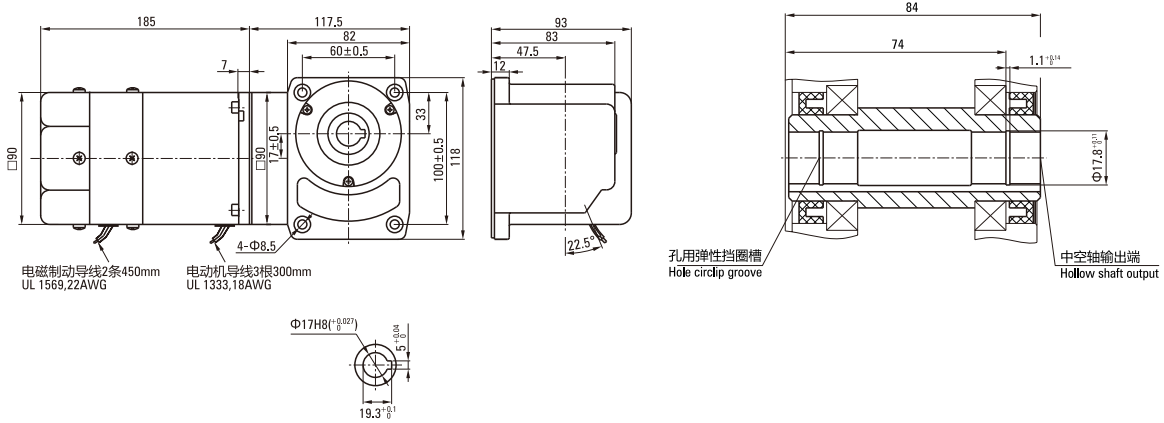
蜗轮蜗杆直角 WORM GEAR RIGHT ANGLE

容许力矩单位 Allowance Torque Unit: 上段 Upside (N.m) / 下段 Belowside (kgf.cm)

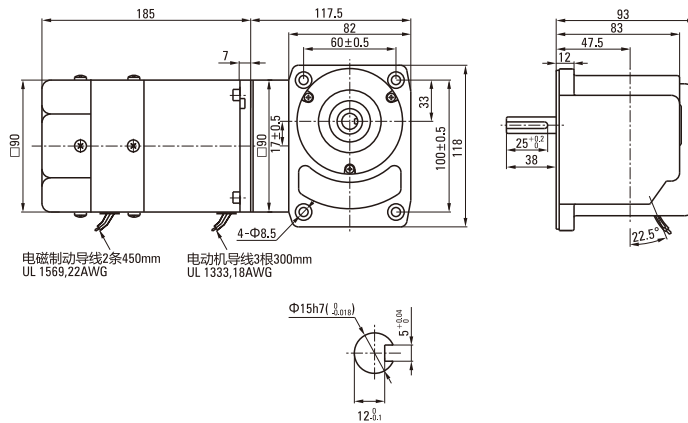
机型 Type		减速比 Gear Ratio	7.5	9	12.5	15	18	25	30	36	50	60	75	90	100	120	150	180	
电动机/减速器 Motor/Gearhead	转速 Speed r/min	50Hz	200	166	120	100	83	60	50	41	30	25	20	16	15	12	10	8	
		60Hz	240	200	144	120	100	72	60	50	36	30	24	20	18	15	12	10	
5RK120GU-AF□M 5RK120GU-EF□M 5RK120GU-CF□M 5RK120GU-HF□M 5RK120GU-SF□M 5RK120GU-S3F□M	5GU□RH 5GU□RA	容许力矩 Allowance Torque	50Hz	2.78	3.34	4.64	5.57	6.68	9.28	11.1	13.4	18.6	20.0	20.0	20.0	20.0	20.0	20.0	20.0
			60Hz	2.25	2.69	3.74	4.49	5.39	7.49	8.98	10.8	15.0	18.0	20.0	20.0	20.0	20.0	20.0	20.0
				22.9	27.5	38.2	45.8	55.0	76.4	91.7	110	153	183	200	200	200	200	200	200

电机尺寸图 Motor Size Chart

5RK120GU-AF□M/5GU□RH 5RK120GU-CF□M/5GU□RH
5RK120GU-EF□M/5GU□RH 5RK120GU-HF□M/5GU□RH 5RK120GU-SF□M/5GU□RH 5RK120GU-S3F□M/5GU□RH

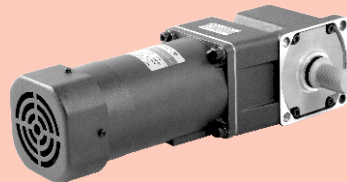


5RK120GU-AF□M/5GU□RA 5RK120GU-CF□M/5GU□RA
5RK120GU-EF□M/5GU□RA 5RK120GU-HF□M/5GU□RA 5RK120GU-SF□M/5GU□RA 5RK120GU-S3F□M/5GU□RA



无励磁动作型电磁制动电动机 POWER OFF ACTIVATED TYPE ELECTROMAGNETIC BRAKE MOTOR

■ 120W □ 104mm



规格 Specs / 电动机 Motor

- 没有内置简易制动 This type of motor does not contain a built-in simple brake mechanism.

型号 Model · 类型 Type 导线型 Lead Wire Type	额定 Rating	输出功率 Output power	电压 Voltage	频率 Frequency	电流 Current	启动转矩 Starting Torque	额定转矩 Rated Torque	额定转速 Rated Speed	电容器容量 Capacitor
齿轮轴型 Pinion Shaft		W	V	Hz	A	mN.m	mN.m	r/min	μF
6RK120GU-AFM	30min	120	1ph 100	50	2.10	600	930	1250	35
				60	2.50		750	1550	
6RK120GU-EFM	30min	120	1ph 110	60	1.70	600	750	1550	30
			1ph 120		1.80				
6RK120GU-CFM	30min	120	1ph 220	50	0.95	750	930	1250	8.0
			1ph 230						
6RK120GU-HFM	30min	120	1ph 220	60	0.95	700	750	1550	8.0
			1ph 230		1.00				
6RK120GU-SFM	30min	120	3ph 220	50	0.75	2200	890	1250	-
				60	0.70	2000	730	1550	
6RK120GU-S3FM	30min	120	3ph 380	50	0.43	2200	890	1250	-
				60	0.40	2000	730	1550	

- 各种安全规格以电动机铭牌上的型号取得认定。
When the motor is approved under various safety standards, the model name on the nameplate is the approved model name.
- (T): 此为配件选项，如需要此功能，型号后需带 "P"。
This option for the parts, such as the need for this feature, models need to bring "P".
- 电动机温度下降后会自动恢复运行，故在进行检查作业时请务必先切断电源。
When the motor temperature drops, the thermal protector closes and the motor restarts. Be sure to turn the motor off before inspecting.
- 注：“-A”型号中电压为110V时，配置电容器容量以实际铭牌为准。
Note: "-A" it means the voltage 110V, the assembly capacitor vaule it is according the labe.

装有减速器时的容许转矩 Gear Motor-Torque Table

- 减速器-中间减速器另售。● 电动机型号的□中为表示带端子箱型的记号(T)。
Gearhead and mid-gearbox can be sold separately. Enter the code that represents the terminal box type (T) in the box (□) within the model name.
- 减速器型号的□中为减速比的数值。□色表示与电动机同一方向运转，其他则为相反方向。
Enter the gear ratio in the box (□) within the model name.
The colored background □ indicates the same rotating direction of the motor while the rotating direction of others are opposite.
- 转速是以电动机的同步转速 (50Hz:1500r/min、60Hz:1800r/min) 为基准除以减速比而算出来的数值。实际转速将随负载大小变化而比所示数值减少2%~20%左右。
The speed is calculated by diving the motor's synchronous speed (50Hz:1500r/min、60Hz:1800r/min) by the gear ratio. The actual speed is 2%~20% less than the displayed value, depending on the size of the load.
- 希望以大于下表的减速比进行进一步减速时，可在电动机与减速器之间安装减速比为10的中间减速器。这时的容许转矩为60N·m。
To reduce the speed beyond the gear ratio in the table, attach a mid-gearbox (gear ratio:10) between the gearhead and motor. In that case, the permissible torque is 60N·m.

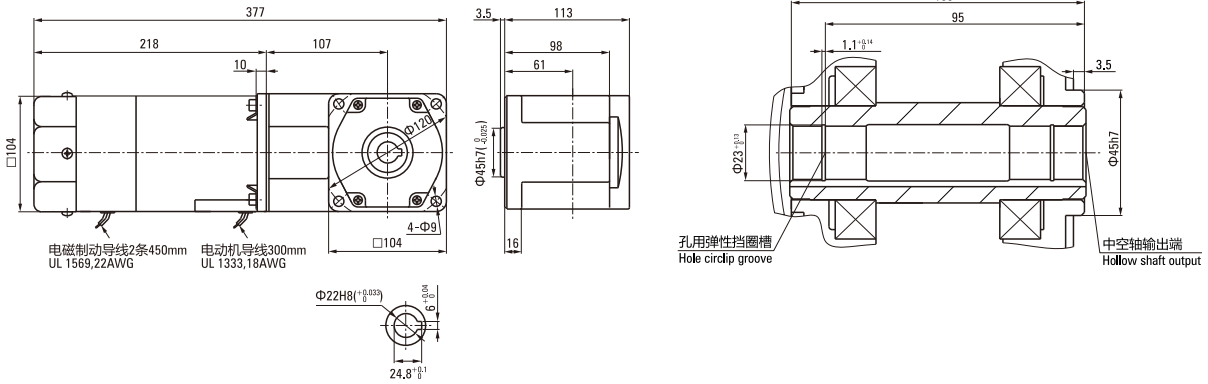
弧锥直角 SPIRAL BEVEL RIGHT ANGLE

容许力矩单位 Allowance Torque Unit: 上段 Upside (N.m) / 下段 Belowside (kgf.cm)

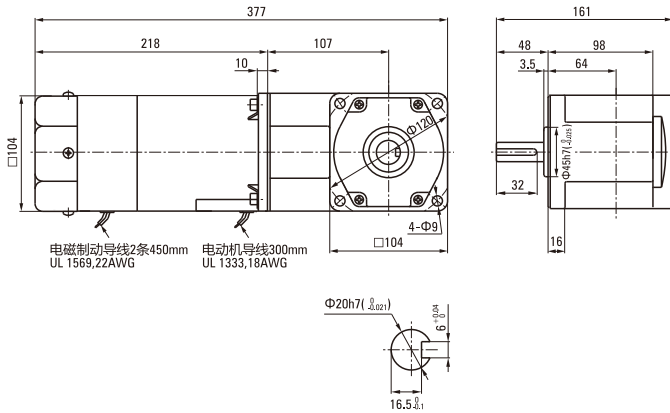
机型Type 电动机/减速器 Motor/Gearhead	减速比Gear Ratio	容许力矩 Allowance Torque																
		7.5	9	12.5	15	18	25	30	36	50	60	75	90	100	120	150	180	
6RK120GU-AF□M 6RK120GU-EF□M 6RK120GU-CF□M 6RK120GU-HF□M 6RK120GU-SF□M 6RK120GU-S3F□M	6GU□RC 6GU□RT	50Hz	200	166	120	100	83	60	50	41	30	25	20	16	15	12	10	8
		60Hz	240	200	144	120	100	72	60	50	36	30	24	20	18	15	12	10
		50Hz	4.26	5.68	7.89	9.47	11.4	15.8	18.9	22.7	28.4	34.1	42.6	51.1	56.8	60.0	60.0	60.0
		60Hz	43.5	58.0	80.5	96.6	116	161	193	232	290	348	435	522	580	600	600	600
		50Hz	3.44	4.58	6.36	7.64	9.16	12.7	15.3	18.3	22.9	27.5	34.4	41.2	45.8	55.0	60.0	60.0
		60Hz	35.1	46.7	64.9	77.9	93.5	130	156	187	234	280	351	421	467	561	600	600

电机尺寸图 Motor Size Chart

6RK120GU-AF□M/6GU□RC 6RK120GU-CF□M/6GU□RC
6RK120GU-EF□M/6GU□RC 6RK120GU-HF□M/6GU□RC 6RK120GU-SF□M/6GU□RC 6RK120GU-S3F□M/6GU□RC

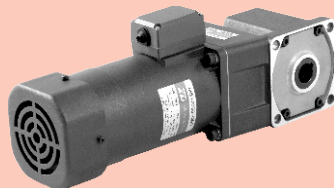


6RK120GU-AF□M/6GU□RT 6RK120GU-CF□M/6GU□RT
6RK120GU-EF□M/6GU□RT 6RK120GU-HF□M/6GU□RT 6RK120GU-SF□M/6GU□RT 6RK120GU-S3F□M/6GU□RT



无励磁动作型电磁制动电动机 POWER OFF ACTIVATED TYPE ELECTROMAGNETIC BRAKE MOTOR

■ 140W □ 104mm



规格 Specs / 电动机 Motor

- 没有内藏简易制动 This type of motor does not contain a built-in simple brake mechanism.

型号 Model · 类型 Type 导线型 Lead Wire Type	额定 Rating	输出功率 Output power	电压 Voltage	频率 Frequency	电流 Current	启动转矩 Starting Torque	额定转矩 Rated Torque	额定转速 Rated Speed	电容器容量 Capacitor
齿轮轴型 Pinion Shaft		W	V	Hz	A	mN.m	mN.m	r/min	μF
6RK140GU-AFM	30min	140	1ph 100	50	2.70	700	1080	1250	35
				60	3.00		870	1550	
6RK140GU-EFM	30min	140	1ph 110	60	1.80	700	850	1550	25
			1ph 120		1.95				
6RK140GU-CFM	30min	140	1ph 220	50	1.05	850	1040	1250	10
			1ph 230		1.15				
6RK140GU-HFM	30min	140	1ph 220	60	1.05	750	850	1550	10
			1ph 230		1.15				
6RK140GU-SM	30min	140	3ph 220	50	0.85	2700	1080	1250	-
				60	0.75	2200	870	1550	
6RK140GU-S3M	30min	140	3ph 380	50	0.49	2700	1080	1250	-
				60	0.43	2200	870	1550	

- 各种安全规格以电动机铭牌上的型号取得认定。
When the motor is approved under various safety standards, the model name on the nameplate is the approved model name.
- (T)：此为配件选项，如需要此功能，型号后需带 "P"。
This option for the parts, such as the need for this feature, models need to bring "P".
- 电动机温度下降后会自动恢复运行，故在进行检查作业时请务必先切断电源。
When the motor temperature drops, the thermal protector closes and the motor restarts. Be sure to turn the motor off before inspecting.
- 注：“-A”型号中电压为110V时，配置电容器容量以实际铭牌为准。
Note: "-A" it means the voltage 110V, the assembly capacitor value it is according to the label.

装有减速器时的容许转矩 Gear Motor-Torque Table

- 减速器-中间减速器另售。● 电动机型号的□中为表示带端子箱型的记号(T)。
Gearhead and mid-gearbox can be sold separately. Enter the code that represents the terminal box type (T) in the box (□) within the model name.
- 减速器型号的□中为减速比的数值。□色表示与电动机同一方向运转，其他则为相反方向。
Enter the gear ratio in the box (□) within the model name.
The colored background □ indicates the same rotating direction of the motor while the rotating direction of others are opposite.
- 转速是以电动机的同步转速 (50Hz:1500r/min、60Hz:1800r/min) 为基准除以减速比而算出来的数值。实际转速将随负载大小变化而比所示数值减少2%~20%左右。
The speed is calculated by dividing the motor's synchronous speed (50Hz:1500r/min、60Hz:1800r/min) by the gear ratio. The actual speed is 2%~20% less than the displayed value, depending on the size of the load.
- 希望以大于下表的减速比进行进一步减速时，可在电动机与减速器之间安装减速比为10的中间减速器。这时的容许转矩为60N·m。
To reduce the speed beyond the gear ratio in the table, attach a mid-gearbox (gear ratio:10) between the gearhead and motor. In that case, the permissible torque is 60N·m.

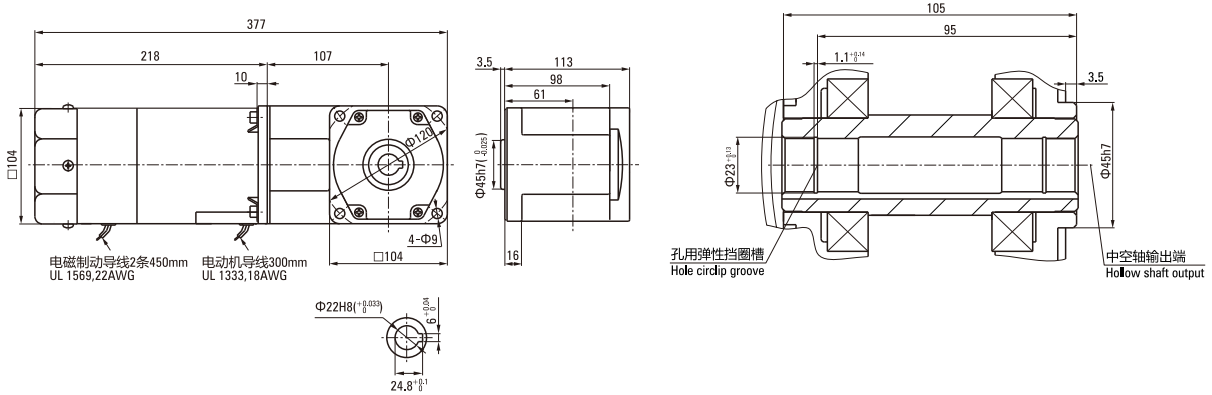
弧锥直角 SPIRAL BEVEL RIGHT ANGLE

容许力矩单位 Allowance Torque Unit: 上段 Upside (N.m) / 下段 Belowside (kgf.cm)

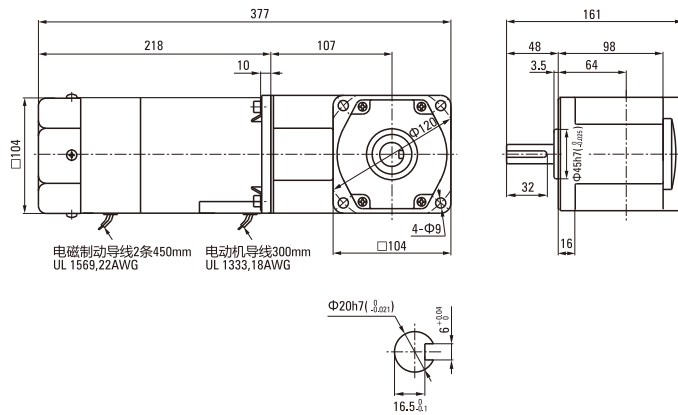
机型Type 电动机/减速器 Motor/Gearhead	减速比Gear Ratio	容许力矩 Allowance Torque																
		7.5	9	12.5	15	18	25	30	36	50	60	75	90	100	120	150	180	
电动机/减速器 Motor/Gearhead	转速Speed r/min	50Hz	200	166	120	100	83	60	50	41	30	25	20	16	15	12	10	8
		60Hz	240	200	144	120	100	72	60	50	36	30	24	20	18	15	12	10
6RK140GU-AF□M 6RK140GU-EF□M 6RK140GU-CF□M 6RK140GU-HF□M 6RK140GU-SF□M 6RK140GU-S3F□M	6GU□RC 6GU□RT	容许力矩 Allowance Torque	50Hz	4.97	6.63	9.21	11.0	13.3	18.4	22.1	26.5	33.1	39.8	49.7	59.6	60.0	60.0	60.0
			60Hz	4.01	5.34	7.42	8.91	10.7	14.8	17.8	21.4	26.7	32.1	40.1	48.1	53.4	60.0	60.0
		50Hz	40.9	54.5	75.8	90.9	109	152	182	218	273	327	409	491	545	600	600	600
		60Hz	40.9	54.5	75.8	90.9	109	152	182	218	273	327	409	491	545	600	600	600

电机尺寸图 Motor Size Chart

6RK140GU-AF□M/6GU□RC 6RK140GU-CF□M/6GU□RC
6RK140GU-EF□M/6GU□RC 6RK140GU-HF□M/6GU□RC 6RK140GU-SF□M/6GU□RC 6RK140GU-S3F□M/6GU□RC



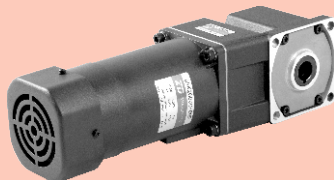
6RK140GU-AF□M/6GU□RT 6RK140GU-CF□M/6GU□RT
6RK140GU-EF□M/6GU□RT 6RK140GU-HF□M/6GU□RT 6RK140GU-SF□M/6GU□RT 6RK140GU-S3F□M/6GU□RT



无励磁动作型电磁制动电动机

POWER OFF ACTIVATED TYPE ELECTROMAGNETIC BRAKE MOTOR

■ 200W □ 104mm



规格 Specs / 电动机 Motor

- 没有内藏简易制动 This type of motor does not contain a built-in simple brake mechanism.

型号 Model · 类型 Type 导线型 Lead Wire Type	额定 Rating	输出功率 Output power	电压 Voltage	频率 Frequency	电流 Current	启动转矩 Starting Torque	额定转矩 Rated Torque	额定转速 Rated Speed	电容器容量 Capacitor
齿轮轴型 Pinion Shaft		W	V	Hz	A	mN.m	mN.m	r/min	μF
6RK200GU-AFM	30min	200	1ph 100	50	3.20	900	1385	1250	45
				60	3.50		1120	1550	
6RK200GU-EFM	30min	200	1ph 110	60	2.75	850	1120	1550	35
			1ph 120		2.65				
6RK200GU-CFM	30min	200	1ph 220	50	1.40	1100	1385	1250	12
			1ph 230						
6RK200GU-HFM	30min	200	1ph 220	60	1.40	1000	1120	1550	12
			1ph 230						
6RK200GU-SFM	30min	200	3ph 220	50	1.20	3400	1385	1250	-
				60	1.00	2700	1120	1550	
6RK200GU-S3FM	30min	200	3ph 380	50	0.69	3400	1385	1250	-
				60	0.58	2700	1120	1550	

- 各种安全规格以电动机铭牌上的型号取得认定。
When the motor is approved under various safety standards, the model name on the nameplate is the approved model name.
- (T): 此为配件选项，如需要此功能，型号后需带 "P"。
This option for the parts, such as the need for this feature, models need to bring "P".
- 电动机温度下降后会自动恢复运行，故在进行检查作业时请务必事先切断电源。
When the motor temperature drops, the thermal protector closes and the motor restarts. Be sure to turn the motor off before inspecting.
- 注：“-A”型号中电压为110V时，配置电容器容量以实际铭牌为准。
Note: "-A" it means the voltage 110V, the assembly capacitor vaule it is according the labe.

装有减速器时的容许转矩 Gear Motor-Torque Table

- 减速器-中间减速器另售。● 电动机型号的□中为表示带端子箱型的记号(T)。
Gearhead and mid-gearbox can be sold separately. Enter the code that represents the terminal box type (T) in the box (□) within the model name.
- 减速器型号的□中为减速比的数值。□色表示与电动机同一方向运转，其他则为相反方向。
Enter the gear ratio in the box (□) within the model name.
The colored background □ indicates the same rotating direction of the motor while the rotating direction of others are opposite.
- 转速是以电动机的同步转速 (50Hz:1500r/min、60Hz:1800r/min) 为基准除以减速比而算出来的数值。实际转速将随负载大小变化而比所示数值减少2%~20%左右。
The speed is calculated by dividing the motor's synchronous speed (50Hz:1500r/min、60Hz:1800r/min) by the gear ratio. The actual speed is 2%~20% less than the displayed value, depending on the size of the load.
- 希望以大于下表的减速比进行进一步减速时，可在电动机与减速器之间安装减速比为10的中间减速器。这时的容许转矩为60N·m。
To reduce the speed beyond the gear ratio in the table, attach a mid-gearbox (gear ratio:10) between the gearhead and motor. In that case, the permissible torque is 60N·m.

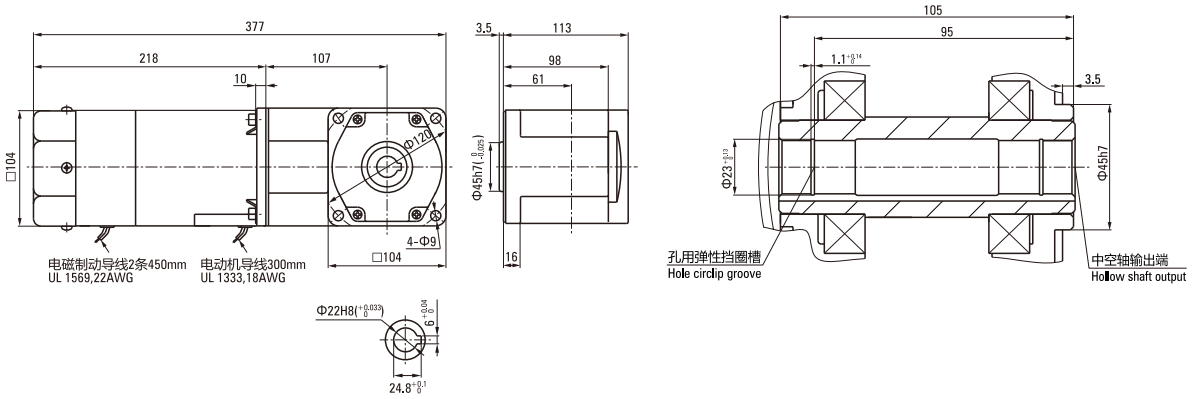
弧锥直角 SPIRAL BEVEL RIGHT ANGLE

容许力矩单位 Allowance Torque Unit: 上段 Upside (N.m) / 下段 Belowside (kgf.cm)

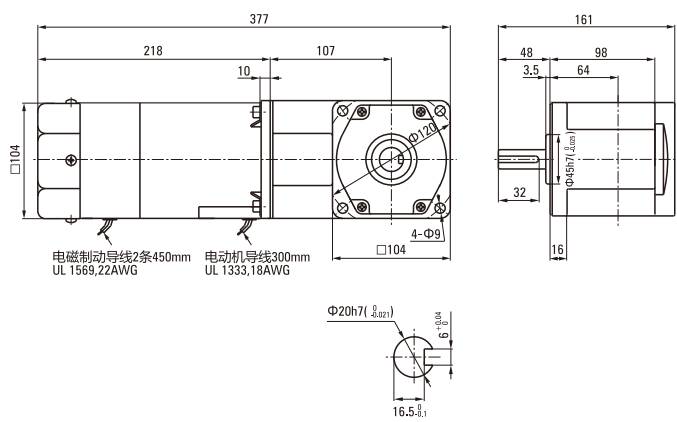
机型Type		减速比Gear Ratio	7.5	9	12.5	15	18	25	30	36	50	60	75	90	100	120	150	180	
电动机/减速器 Motor/Gearhead	转速Speed r/min	50Hz	200	166	120	100	83	60	50	41	30	25	20	16	15	12	10	8	
		60Hz	240	200	144	120	100	72	60	50	36	30	24	20	18	15	12	10	
6RK200GU-AF□M 6RK200GU-EF□M 6RK200GU-CF□M 6RK200GU-HF□M 6RK200GU-SF□M 6RK200GU-S3F□M	6GU□RC 6GU□RT	容许力矩 Allowance Torque	50Hz	9.28	11.1	13.9	16.7	20.1	25.2	30.3	36.3	50.4	60.0	60.0	60.0	60.0	60.0	60.0	60.0
			60Hz	7.49	8.98	11.2	13.5	16.2	20.3	24.4	29.3	40.7	48.8	60.0	60.0	60.0	60.0	60.0	60.0
			60Hz	76.4	91.7	115	138	165	207	249	299	415	498	600	600	600	600	600	600
			60Hz	76.4	91.7	115	138	165	207	249	299	415	498	600	600	600	600	600	600

电机尺寸图 Motor Size Chart

6RK200GU-AF□M/6GU□RC 6RK200GU-CF□M/6GU□RC
6RK200GU-EF□M/6GU□RC 6RK200GU-HF□M/6GU□RC 6RK200GU-SF□M/6GU□RC 6RK200GU-S3F□M/6GU□RC



6RK200GU-AF□M/6GU□RT 6RK200GU-CF□M/6GU□RT
6RK200GU-EF□M/6GU□RT 6RK200GU-HF□M/6GU□RT 6RK200GU-SF□M/6GU□RT 6RK200GU-S3F□M/6GU□RT



■ 连接图 Wiring Diagram

- 运转方向指从电动机轴看来的方向。CW表示顺时针方向，CCW表示逆时针方向。

The direction of motor rotation is as viewed from the shaft end of motor. CW represents the clockwise direction, while CCW represents the counterclockwise direction.

- 表中所记品名为齿轮轴型，圆轴型亦同。Name indicated in the list is pinion shaft type, also valid for the equivalent round shaft type.

单相电动机 Single-phase Motor	
6RK200GU-AFM、6RK200GU-EFM、6RK200GU-CFM、6RK200GU-HFM	

SW1为电动机的运行/停止及电磁制动操作作用开关。（联动）

SW1 operates both motor and electromagnetic brake action. (Switched Simultaneously)

SW1设定于ON时，电磁制动解除，电动机开始运行。

The motor will rotate when SW1 is switched simultaneously to ON.

SW1设定于OFF时，电动机停止，电磁制动开始工作。

When SW1 is switched simultaneously to OFF, the motor stops immediately with the electromagnetic brake and holds the load.

在电动机停止状态下解除电磁制动时，应将SW1设定为非联动，而仅将黑色导线侧的触点设定为ON。

If you wish to release the brake while the motor is stopped, set the SW1 to off and connection point at the side of black lead to ON.

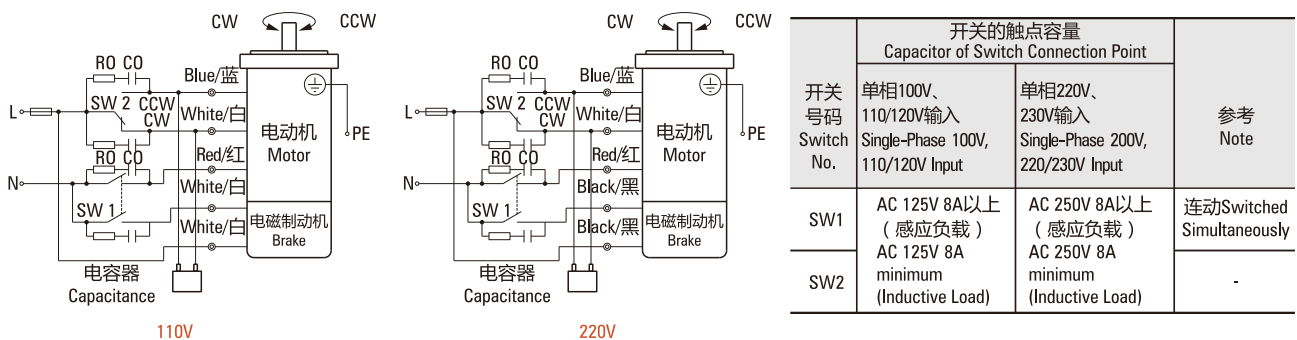
运转方向。Direction of Rotation.

将SW2转换至CW侧时，电动机作顺时针方向运转。

To rotate the motor in a clockwise (CW) direction, turn SW2 to CW.

将SW2转换至CCW侧时，电动机作逆时针方向运转。

To rotate the motor in a counterclockwise (CCW) direction, turn SW2 to CCW.



三相电动机 Three-phase Motor	
6RK200GU-SFM(S3FM)	

SW1为电动机的运行/停止及电磁制动操作作用开关。（联动）

SW1 operates both motor and electromagnetic brake action. (Switched Simultaneously)

SW1设定于ON时，电磁制动解除，电动机开始运行。

The motor will rotate when SW1 is switched simultaneously to ON.

SW1设定于OFF时，电动机停止，电磁制动开始工作。

When SW1 is switched simultaneously to OFF, the motor stops immediately with the electromagnetic brake and holds the load.

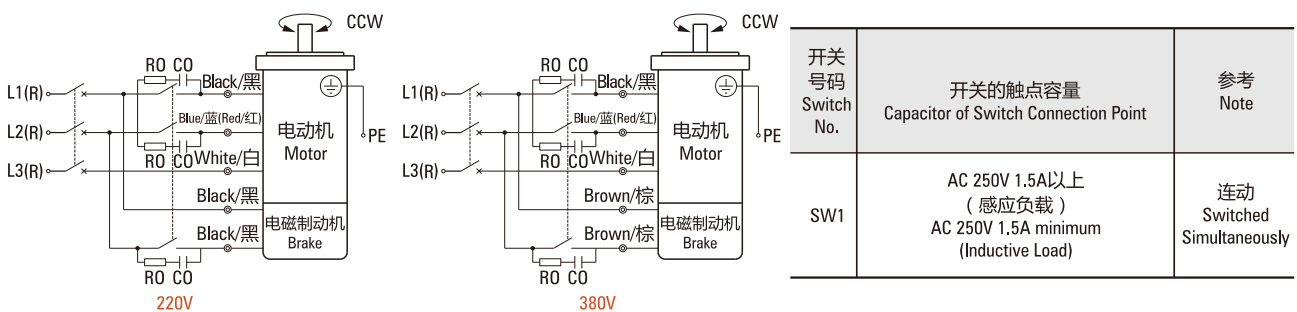
在电动机停止状态下解除电磁制动时，应将SW1设定为非联动，而仅将黑色导线侧的触点设定为ON。

If you wish to release the brake while the motor is stopped, set the SW1 to off and connection point at the side of black lead to ON.

运转方向。Direction of Rotation.

若对换R、S、T中任意二条，电动机作逆时针方向运转。

To change the rotation direction, change any two connections between R, S and T.



请注意Notes:

- R0C0为吸收电涌电压用CR电路。[R0=5~200Ω、C0=0.1~0.2μF, 200WV (400WV)] 请使用选购配件EPCR1201-2。

- R0C0 indicate surge suppressor circuit. [R0=5~200Ω, C0=0.1~0.2μF, 200WV (400WV)] EPCR1201-2 is available as an optional surge suppressor.